

D-R 320

Dust Monitor for smallest to medium concentrations

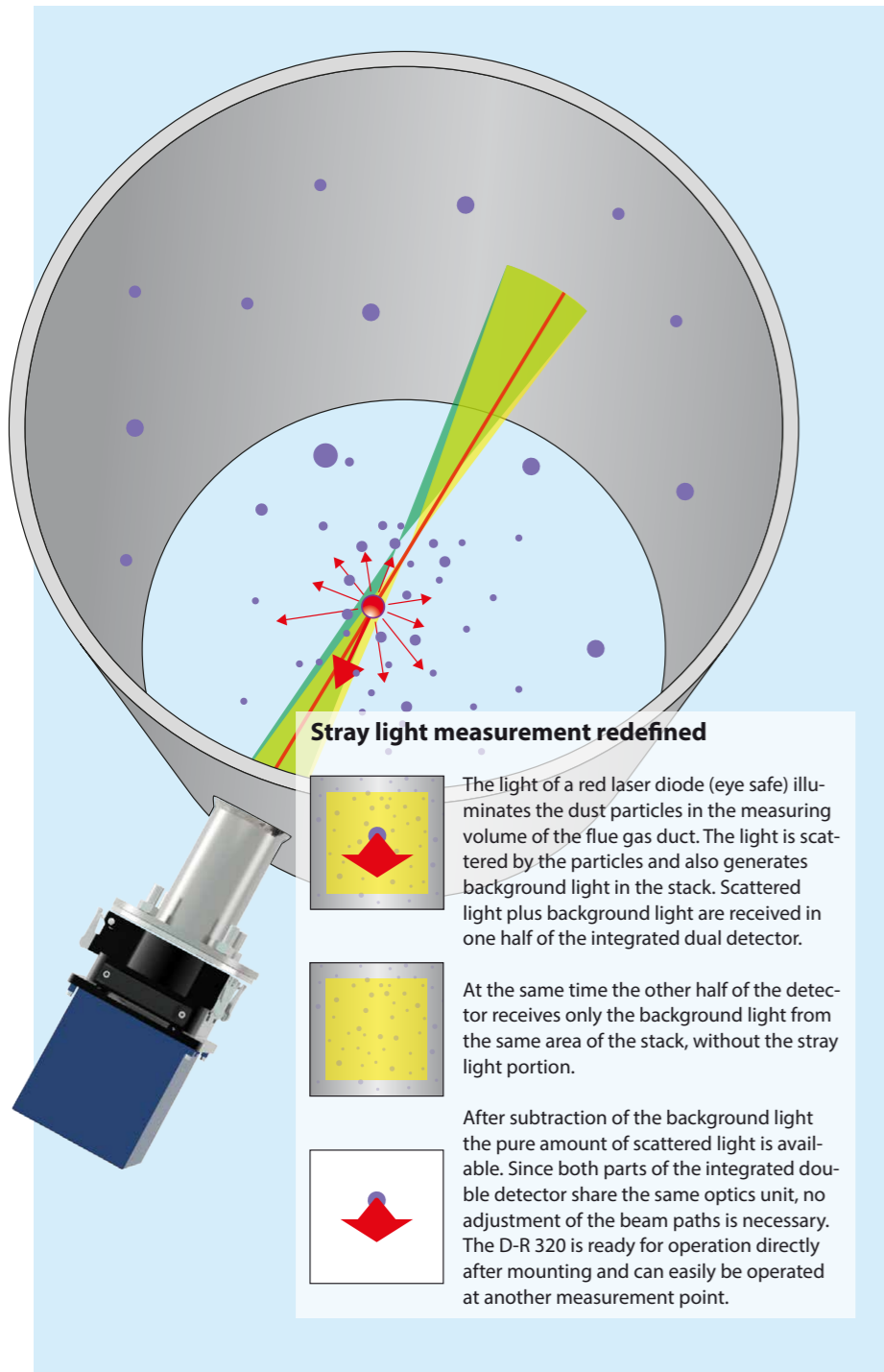


- Easy installation on standard flanges
- Easy setup without adjustment
- Automatic background light compensation, no light trap
- Integrated purge air monitoring and control
- Integrated fail safe shutter as an option

Certified acc. to EN 15267-3,
Certification range 0–7.5 mg/m³

The new scattered light dust monitor D-R 320

High-sensitivity measurement even at the lowest concentrations of dust



The new DURAG dust monitor D-R 320 is based on the backscattering principle and is ideally suited for monitoring smallest to medium dust concentrations. The measurement takes place continuously in the flue gas stream. Naturally the D-R 320 is compliant with the high requirements of the new European standards and therefore suitable for measurements according to official regulations.

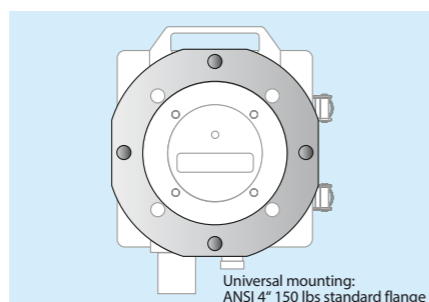
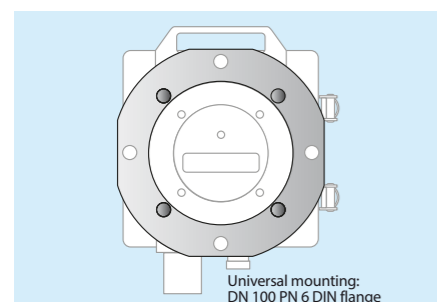
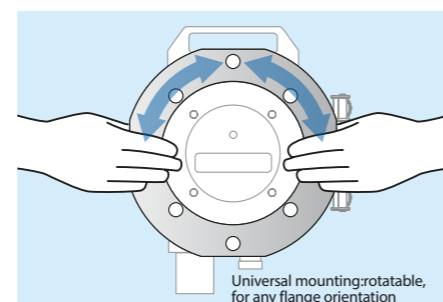
Startup without adjustment due to unique optical design

The D-R 320 does not require a light trap. The background light in the stack is detected by means of a special optical system with dual detector and automatically compensated without the need of any manual adjustment. Advantage of this new design is the quick and uncomplicated installation, completely without adjustment at site. So the D-R 320 is ready for operation directly after installation and flexible for different applications. Even after a conversion to a different measurement point the device is operational immediately again.



Single-sided installation on standard flanges without light trap

The D-R 320 allows single sided installation at the stack and requires just a small wall opening. It can be mounted in any orientation via a rotatable connection on existing DN 100 PN 6 or ANSI 4" 150 lbs standard flanges. This reduces time and costs for installation.



Long life due to integrated purge air monitoring and control

The D-R 320 is continuously purged and therefore the optical system is not in contact with the exhaust gas. The integrated purge air control ensures the optimum amount of purge air. This ensures a long life and long maintenance intervals. A purge air failure is immediately indicated by the device. The maintenance of the device is minimal.

Convenient operation, readings anywhere accessible

The operation of the D-R 320 is comfortable and extremely flexible. Different operating options are available:

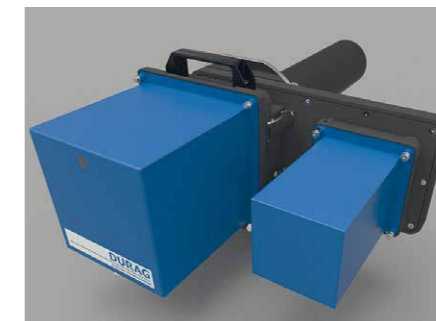
- local via USB interface
- by means of the external operation unit D-ISC 100
- remote access with RS-485 interface via MODBUS RTU / MODBUS TCP protocol (acc. to VDI 4201-3)

Automatic control functions ensure reliable measuring values

Reliability has the highest priority when measuring emissions. For that reason the D-R 320 automatically performs zero and span check as well as contamination check in regular intervals and on demand. The device features an automatic contamination correction. Need for maintenance is immediately indicated by the electronics.

Options

- Weather protection covers
- Fully integrated failsafe shutter as protection for the measuring device in case of a purge air failure.



With the integrated fail safe shutter the D-R 320 is optimally protected for reliable use even under overpressure conditions.

Universal Operation Unit D-ISC 100

The universal operation unit D-ISC 100 allows for the connection of up to 8 DURAG measuring heads and enables the combination of dust and flow measurements. The D-ISC 100 offers convenient operation and parameterization of the connected devices. The display provides an immediate overview of the current measurements and the status of the devices.

- Connection of up to 8 measuring heads
- Local operation with keypad, through USB port or remotely through RS-485 interface.
- Modular design, many extension modules available

Features

- Continuous measurement of dust concentration
- Easy installation on standard flanges
- Easy startup without adjustment
- Automatic background light compensation, no light trap
- Convenient operation, remote access possible
- Automatic control functions
- Integrated purge air monitoring and control
- Long service intervals
- Certified acc. to EN 15267
- Integrated fail safe shutter as an option
- Data transfer via Modbus compliant with VDI 4201-3

Applications

Continuous emission monitoring, e.g.:

- on incineration plants generally
- on plants according to IED 2010/75/EU
- on plants according to 2001/80/EC LCPD
- on waste, hazardous waste and sewage sludge incineration plants
- on cement manufacturing plants
- on power plants with gas, oil, coal or co-firing
- on plants for the incineration of biomass

Monitoring of:

- ventilation units
- filter units

Technical Data

measuring head	
measurements	dust concentration
measuring range	min: 0-5 mg/m ³ , max: 0-200 mg/m ³
measuring principle	back scattering
flue gas temperature	0...600°C
flue gas pressure	-50 ... +50 hPa, optional higher
duct diameter	> 0.7 m
ambient temperature	-40 up to +60 °C
protection	IP 65, Ex optional
measuring outputs	0 / 4-20 mA / 400 Ohm, Modbus RTU bi-directional
digital outputs	2 relay outputs, permissible load 60 VDC / 30 VAC / 0.5 A
supply voltage	24 VDC, 0.5 A
dimensions (h x w x d)	200 x 190 x 260/410 mm
weight	15 kg
supply unit	
purge air supply	integrated blower
supply unit	115/230 VAC, 50/60 Hz, 0.37/0.43 kW
dimensions	480 x 450 x 320 mm
weight	12 kg
protection	IP 65



System components

- Measuring head
- Mounting flange
- Universal control unit D-ISC 100
- Supply unit with integrated purge air supply



DURAG Sales and Marketing GmbH & Co. KG
Kollaustraße 105
22453 Hamburg, Germany
Tel. +49 40 55 42 18-0
Fax +49 40 58 41 54
E-Mail: info@durag.de

DURAG Niederlassung Nord
Kollaustraße 105
22453 Hamburg, Germany
Tel. +49 40 55 42 18-0
Fax +49 40 58 41 54
E-Mail: durag-nord@durag.de

DURAG Niederlassung West
An der Pönt 53a
40885 Ratingen, Germany
Tel. +49 2102 74 00-0
Fax +49 2102 74 00 28
E-Mail: durag-west@durag.de

DURAG Niederlassung Süd
Weidenweg 16
73087 Bad Boll, Germany
Tel. +49 7164 912 25-0
Fax +49 7164 912 25-50
E-Mail: durag-sued@durag.de

DURAG Niederlassung Ost
Halsbrücker Straße 34
09599 Freiberg, Germany
Tel. +49 3731 30 04-0
Fax +49 3731 30 04-22
E-Mail: durag-ost@durag.de

DURAG

DURAG GmbH
Kollaustraße 105
22453 Hamburg, Germany
Tel. +49 40 55 42 18-0
Fax +49 40 58 41 54
E-Mail: info@durag.de



DURAG data systems GmbH
Kollaustraße 105,
22453 Hamburg, Germany
Tel. +49 40 55 42 18-3000
Fax +49 40 55 42 18-3099
E-Mail: info@durag-data.de



DURAG process & systems technology gmbh
Kollaustraße 105
22453 Hamburg, Germany
Tel. +49 40 55 42 18-0
Fax +49 40 58 41 54
E-Mail: info@durag-process.de



DURAG Siena do Brasil Ltda
Rua Vinte e Dois de Agosto, 66
Diadema - SP
09941-530 Brazil
Tel. +55 11 4071-5050 r.28
Fax +55 11 4077-1718
E-Mail: info@duragsiena.com.br



Hegwein GmbH
Am Boschwerk 7
70469 Stuttgart
Germany
Tel. +49 711 135 788-0
Fax +49 711 135 788-5
E-Mail: info@hegwein.de



SMITSVONK Holland B.V.
P.O. Box 180, 2700 AD Zoetermeer
Goudstraat 6, 2718 RC Zoetermeer
Netherlands
Tel. +31 79 361 35 33
Fax +31 79 361 13 78
E-Mail: sales@smitsvonk.nl



A Brand of DURAG GmbH
Kollaustraße 105
22453 Hamburg, Germany
Tel. +49 40 55 42 18-0
Fax +49 40 58 41 54
E-Mail: verewa@durag.de

DURAG Brazil
DURAG Siena do Brasil Ltda
Rua Vinte e Dois de Agosto, 66
Diadema - SP
09941-530 Brazil
Tel. +55 11 4071-5050 r.28
Fax +55 11 4077-1718
E-Mail: info@duragsiena.com.br

DURAG France S.a.r.l.
Parc GIP Charles de Gaulle
49, rue Léonard de Vinci, BP 70166
95691 Goussainville CEDEX,
France
Tel. +33 1 301 811 80
Fax +33 1 393 383 60
E-Mail: info@durag-france.fr

DURAG, Inc., USA
1355 Mendota Heights Road
Suite 200
Mendota Heights
MN 55120, USA
Tel. +1 651 451-1710
Fax +1 651 457-7684
E-Mail: durag@durag.com

DURAG India Instrumentation Private Limited
#27/30, 2nd Main Road
Industrial Town, Rajajinagar
Bengaluru 560 044, India
Tel. +91 80 2314 5626 / 4215 1191
Fax +91 80 2314 5627
E-Mail: info@duragindia.com

DURAG Instrumentation (Shanghai) Co., Ltd.
Room 706, Dibao Plaza, No. 3998
Hongxin Rd., Minhang District,
Shanghai, 201103 PR China
Tel. +86 21 60732979-206
Fax +86 21 60732980
E-Mail: info@durag-cn.com

DURAG Italia S.r.l.
Via Carlo Panseri, 118
CIM uffici, P. secondo
28100 Novara
Italy
Tel. +39 0321 679569
Fax +39 0321 474165
E-Mail: info@durag.it

DURAG Japan Office
c/o TMS Planning Inc.
291-2 Umena, Mishima-shi,
Shizuoka-ken,
411-0816 Japan
Tel. +81 55 977 3994
Fax +81 55 977 3994
E-Mail: info@durag.jp

DURAG Korea Office
RM #1131, Manhattan Building,
36-2, Yeouido-Dong,
Yeongdeungpo-Gu, Seoul,
Korea
Tel. +82 2 761 8970
Fax +82 2 761 8971
E-Mail: info@durag-group.co.kr

DURAG RUSS OOO
Andropova avenue 18/6,
Office 2-03
115432 Moscow
Russia
Tel. +7 499 4180090
Fax +7 499 4180091
E-Mail: info@durag-group.ru

DURAG UK GmbH
Lullington House, Ashby Road
Burton-on-Trent, Staffordshire,
E15 0YZ
Great Britain
Tel. +44 1283 553 481
Fax +44 1785 760 014
E-Mail: durag.uk@durag.de

www.durag.de